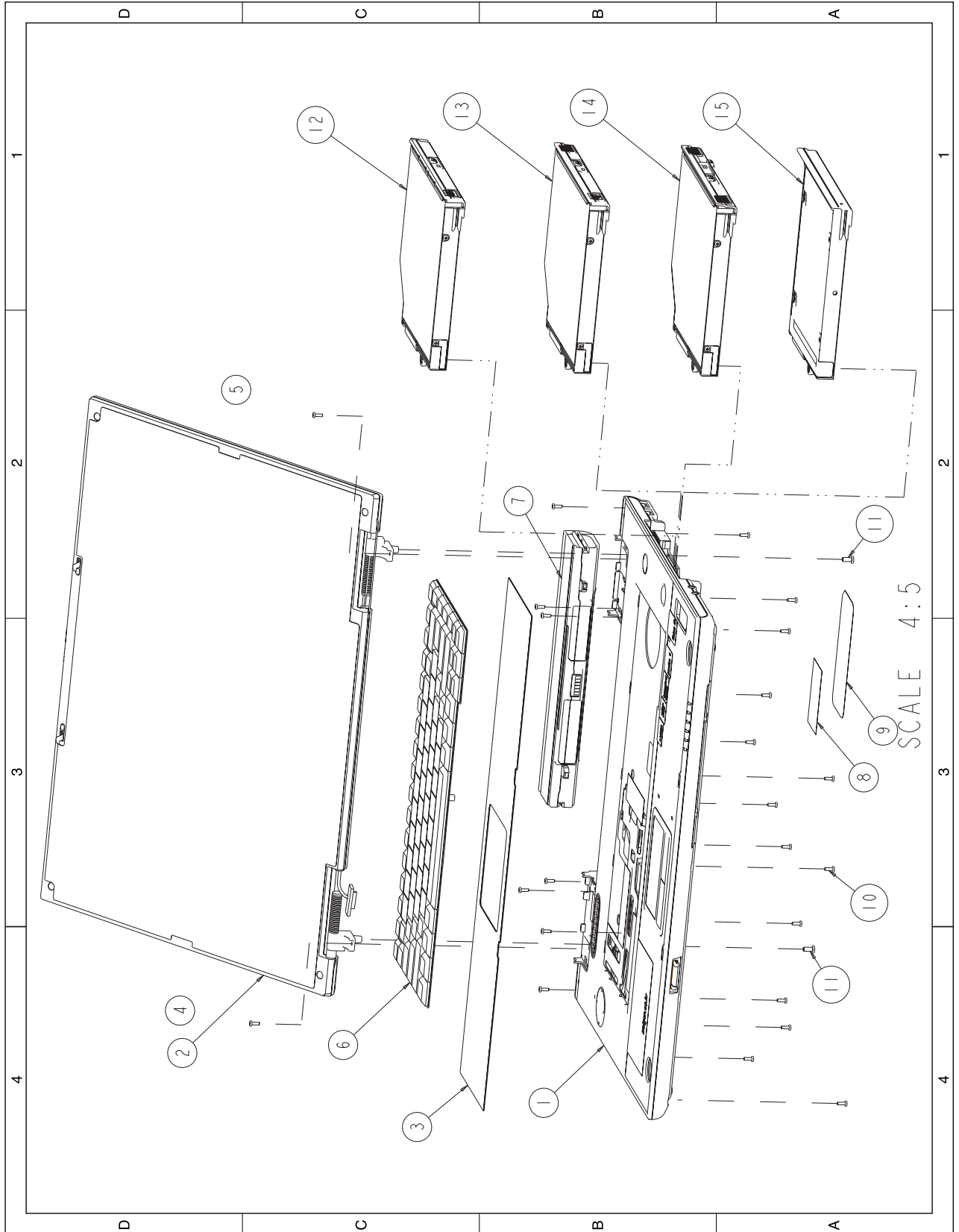


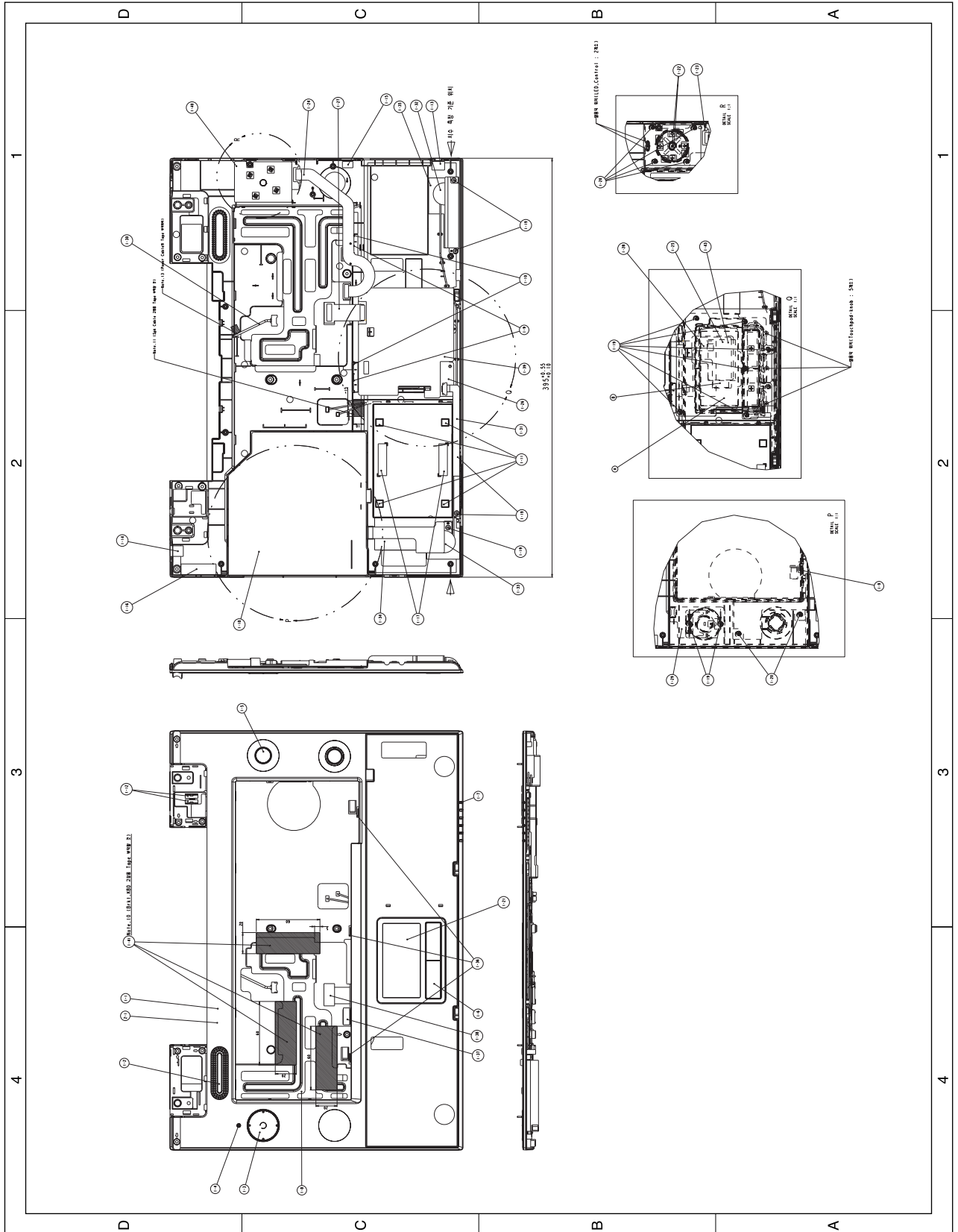
5-2 system Exploded View

5-2-1 CICHLED-EXPLODED



No	Description	Code No	Specification	Q'ty	Remark
1	SYSTEM ASS'Y	X	ASS'Y	1	
2	LCD ASS'Y	X	ASS'Y	1	
3	PLATE PALMREST	BA81-00318A	ASS'Y	1	
4	CAP HINGE L	BA67-00265A	PC+ABS (TALC, 5%, 94VO)	1	
5	CAP HINGE R	BA67-00266A	PC+ABS (TALC, 5%, 94VO)	1	
6	KEY BOARD	BA59-01321B		1	
7	BATTERY (SDI)	BA43-00128A	6CELL	1	
	BATTERY (SAN)	BA43-00130A	6CELL	1	
	BATTERY (SDI)	BA43-00129A	9CELL	1	
8	LABEL-MS	BA68-02510A	PET, T0.1, 50X30	1	OS:XP HOME
	LABEL-MS	BA38-02503A	PET, T0.1, 50X30	1	OS:XP PRO
9	LABEL-SAMSUNG	BA68-02565A	PET, T0.1, 90.4X40.4	1	
10	SCREW-MACHINE	6001-001406	M2, L6.0, CH, WHT, +, NYLOCK	39	
11	SCREW-MACHINE	6001-001789	M2, L6.0, CH, WHT, +, NYLOCK	2	
12	OPTION-CD ASS'Y	BA96-02455A	ASS'Y	1	
13	DVD-COMBO ASS'Y	BA96-02456A	ASS'Y	1	
14	DVD-MULTI ASS'Y	BA96-02528A	ASS'Y	1	
15	2ND-HDD ASS'Y	BA96-02485A	ASS'Y	1	

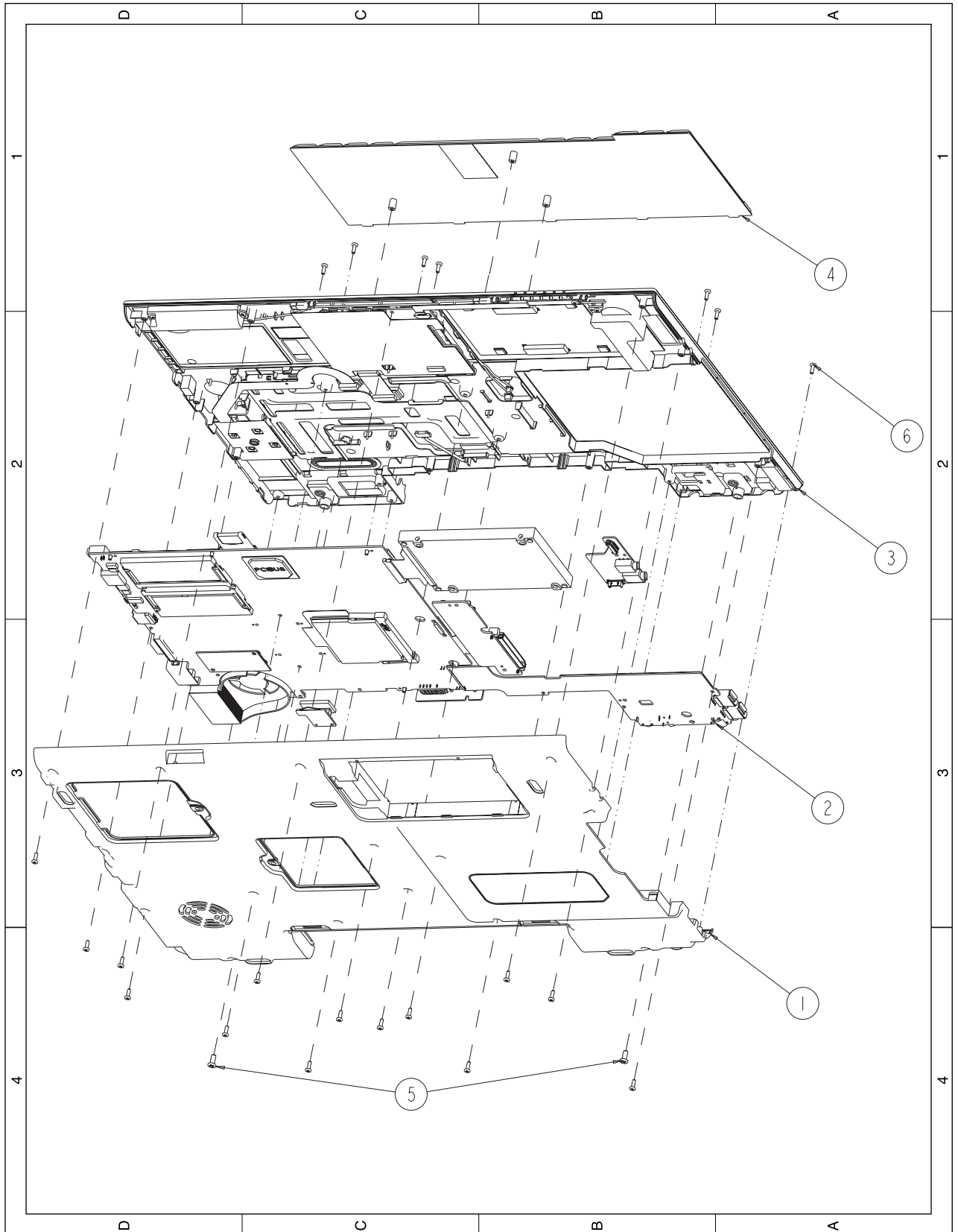
5-2-2 UNIT_HOUSING_TOP



No	Description	Code No	Specification	Q'ty	Remark
1	UNIT_HOUSING_TOP	BA75-01339A	ASS'Y	1	DAEJIN
1-1	HOUSING_TOP	BA81-00317A	PC/GF (GF 20%)	1	DAEJIN
1-2	BADGE_ORNAMENT	BA68-01810A	Ni R0.15	1	SR
1-3	KNOB_CONTROL	BA81-00320A	PC/ABS	1	DAEJIN
1-4	LENS_CONTROL	BA81-00321A	ACRYL, MILKY	1	DAEJIN
1-5	KNOB_POWER	BA81-00322A	PC, MILKY	1	DAEJIN
1-6	KNOB_TOUCHPAD	BA81-00323A	PC/ABS	1	DAEJIN
1-7	LENS_LED	BA81-00324A	ACRYL, MILKY	1	DAEJIN
1-8	BRACKET_KBD	BA81-00325A	SUS304, 0.6t	1	SUNGWOO
1-9	KNOB_LOCK_KBD	BA64-00019A	PC/ABS, 94VO, BLK	3	HJTEC
1-10	SPRING_KBD	BA61-00004A	STS301-1/2H, 0.41	3	SUNGWOO
1-11	RUBBER_HDD_SHOCK	BA73-00238A	PORON H48 (6X6X2t)	4	SEOWON INTEC
1-12	GASKET_MMCX_UPPER	BA81-00359A	GASKET 12X3X0.7t	2	AMIC
1-13	GASKET_1394_UPPER	BA81-00358A	GASKET 12X8X5t	1	AMIC
1-14	GASKET_SVHS_UPPER	BA81-00360A	GASKET 10X10X4.0t	1	AMIC
1-15	GASKET_LCD_BOARD	BA81-00168A	GASKET 10X6X10.0t	1	AMIC
1-16	GASKET_USB_UPPER_R	BA81-00362A	GASKET 10X33X11.0t	1	AMIC
1-17	GASKET_RHE_B	BA63-00433A	GASKET 30X8X3.0t	2	AMIC
1-18	INSULATION_ODD_TOP	BA81-00328A	PET 134.8X130.05X0.5t	1	HANBIT
1-19	SCREW_MACHINE	6001-001649	M2XL4, CH(0.7XØ 4.5),NIPLT,+,NYLOK	14	ASIA
1-20	SCREW_MACHINE	6001-001262	M2XL3M, CH (0.5XØ4.8), YEL, +	6	ASIA
1-21	INSULATOR_TOUCHPAD	BA81-00559A	PC 69.84X35.23X0.20t	1	HANBIT
1-22	SPRING_CONTROL	BA81-00558A	선경.3X 외경.8X 지유장7.0	1	유진스프링
1-23	Ontop I/F Board	BA59-01334A		1	영우전자
1-24	Ontop Control FPC	BA41-00431A	FPC, 20P	1	AM Tech / CMI
1-25	Touch PAD	BA59-01340A	TM51P-378 (77.24X40.13X0.987)	1	Synaptics
1-26	Touchpad I/F Board	BA59-01329A		1	영우전자
(A)	RUBBER_TOUCHPAD	BA81-00560A	SPONGE RUBBER, 5.0t	1	SEOWON INTEC
(B)	GASKET_TOUCHPAD_UPPER	BA81-00361A	GASKET 15X7X6.0t	1	AMIC
1-27	Touchpad FPC	BA41-00429A	FPC, 30P	1	AM Tech / CMI
1-28	Touchpad FFC	BA41-00433A	FPC, 12P	1	고려테크
1-29	Power SW I/F Board	BA59-01336A		1	영우전자
1-30	Power SW Cable	BA39-00413A	4P	1	태양8C
1-31	LED FPC Board	BA41-00434A		1	
1-32	SPEAKER_L	BA96-02454A	UNIT:FG-19042, Cable:315.8mm	1	태양8C (FG)
1-33	SPEAKER_R	BA96-02453A	UNIT:FG-19042, Cable:259.8mm	1	태양8C (FG)
1-34	SPONGE_SPEAKER_L	BA81-00561A	PORON, 0.6t	1	SEOWON INTEC
1-35	SPONGE_SPEAKER_R	BA81-00562A	PORON, 0.6t	1	SEOWON INTEC
1-36	INSULATOR_KBD	BA81-00326A	PET 0.07t (10X2)	3	HANBIT
1-37	RUBBER_CONTROL_FPC	BA81-00315A	CR RUBBER (16X6X1.5)	1	SEOWON INTEC

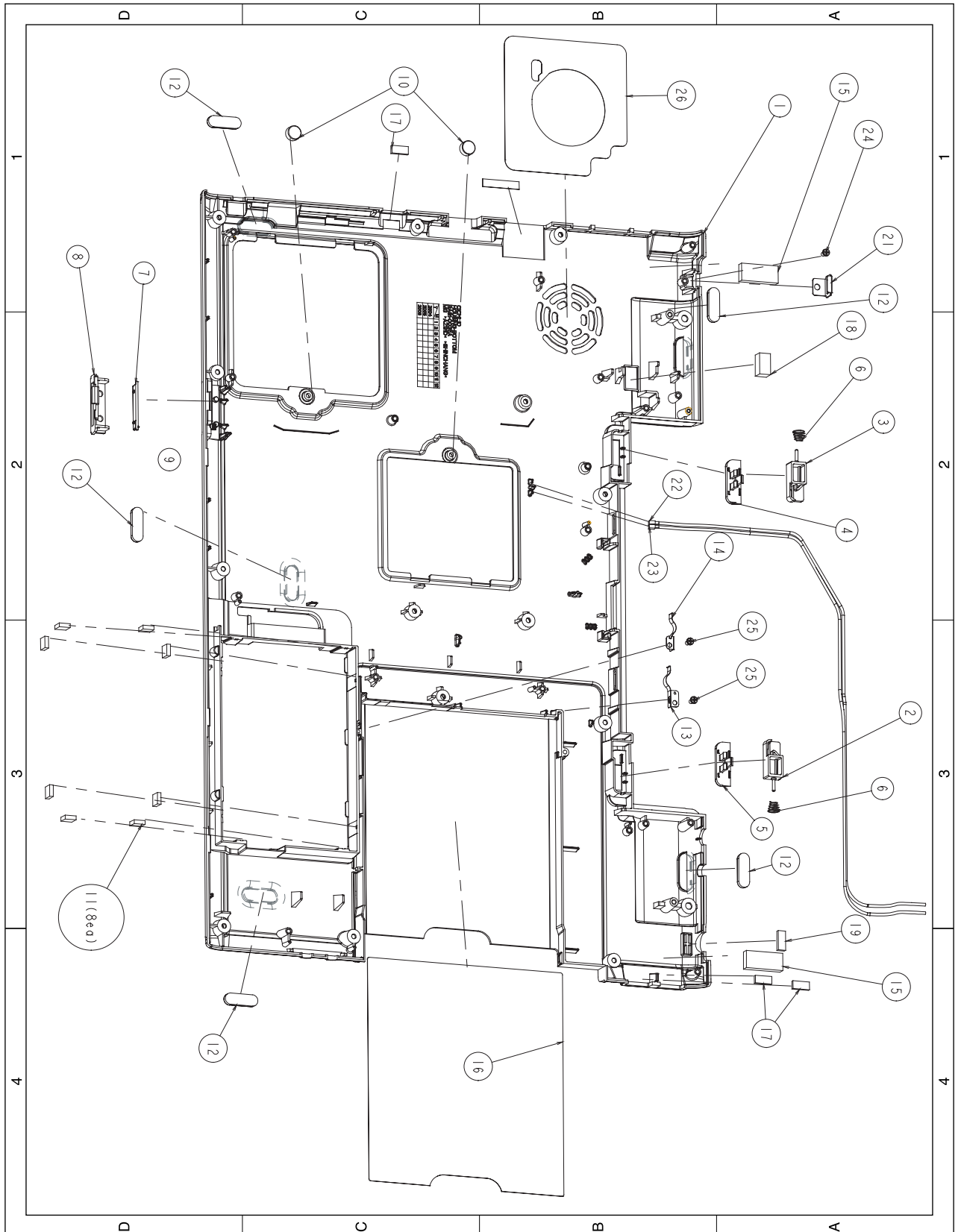
No	Description	Code No	Specification	Q'ty	Remark
1-38	RUBBER_TOUCHPAD_FPC	BA81-00314A	EVE RUBBER (21X10X3.0)	1	SEOWON INTEC
1-39	INSULATOR_TOUCHPAD_BD	BA81-00327A	PET 0.15t (101.22X95.4)	1	HANBIT
1-40	INSULATOR_CONTROL	BA81-00461A	PET 0.15t (54.1X38.7)	1	HANBIT
1-41	TAPE_KBD	N/A	TAPE 20X60X0.07+	3	
1-42	BAG_CARRYING	BJ69-00131A	PE BAG	1	DAEAC
1-43	TAPE_TOUCHPAD	BA81-00666A	3M 4591 HL (76.0X39.0X0.05+)	1	YEONHO TRADING CO.
2	UNIT_HOUSING_TOP	BA75-01427A	ASS'Y	1	DAEJIN
2-1	HOUSING_TOP	BA81-00632A	PD/GF (GF 20%)	1	DAEJIN

5-2-3 CICHLID_SYSTEM_EXPLODED



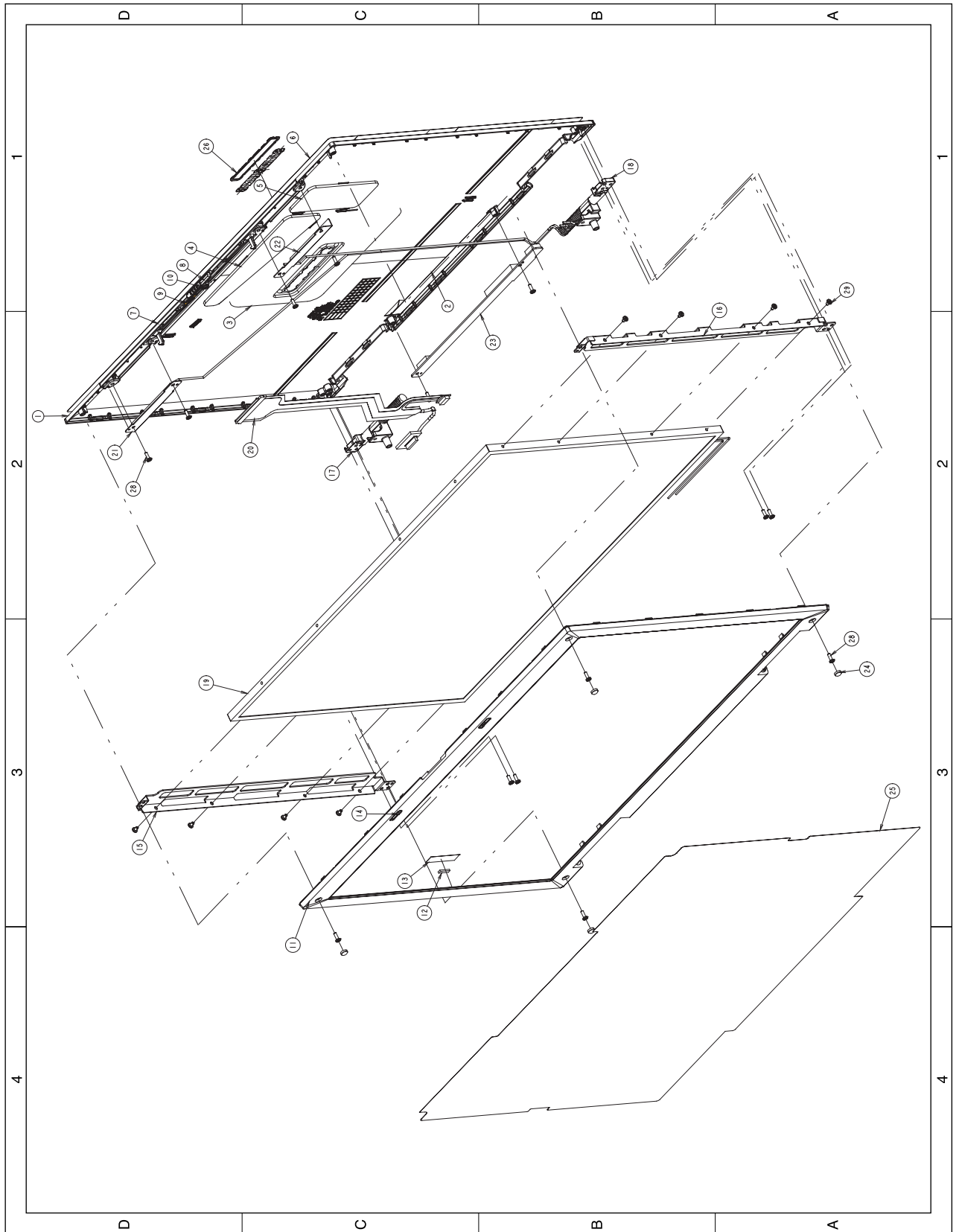
No	Description	Code No	Specification	Q'ty	Remark
1	HOUSING-BOTTOM	BA81-00311A	Mg, AZ91D, T1.2	1	
2	PCB ASS'Y	BA41-00392A	ASS'Y	1	
3	TOP ASS'Y	BA75-01339A	ASS'Y	1	
4	KEYBOARD	BA59-01321B		1	
5	SCREW-MACHINE	6001-001406	M2, L6.0, CH, BLK, +, NYLOCK	21	
6	SCREW-MACHINE	6001-001789	M3, L7.0, CH, BLK, +, NYLOCK	2	

5-2-4 UNIT_BOTTOM_EXPLODED



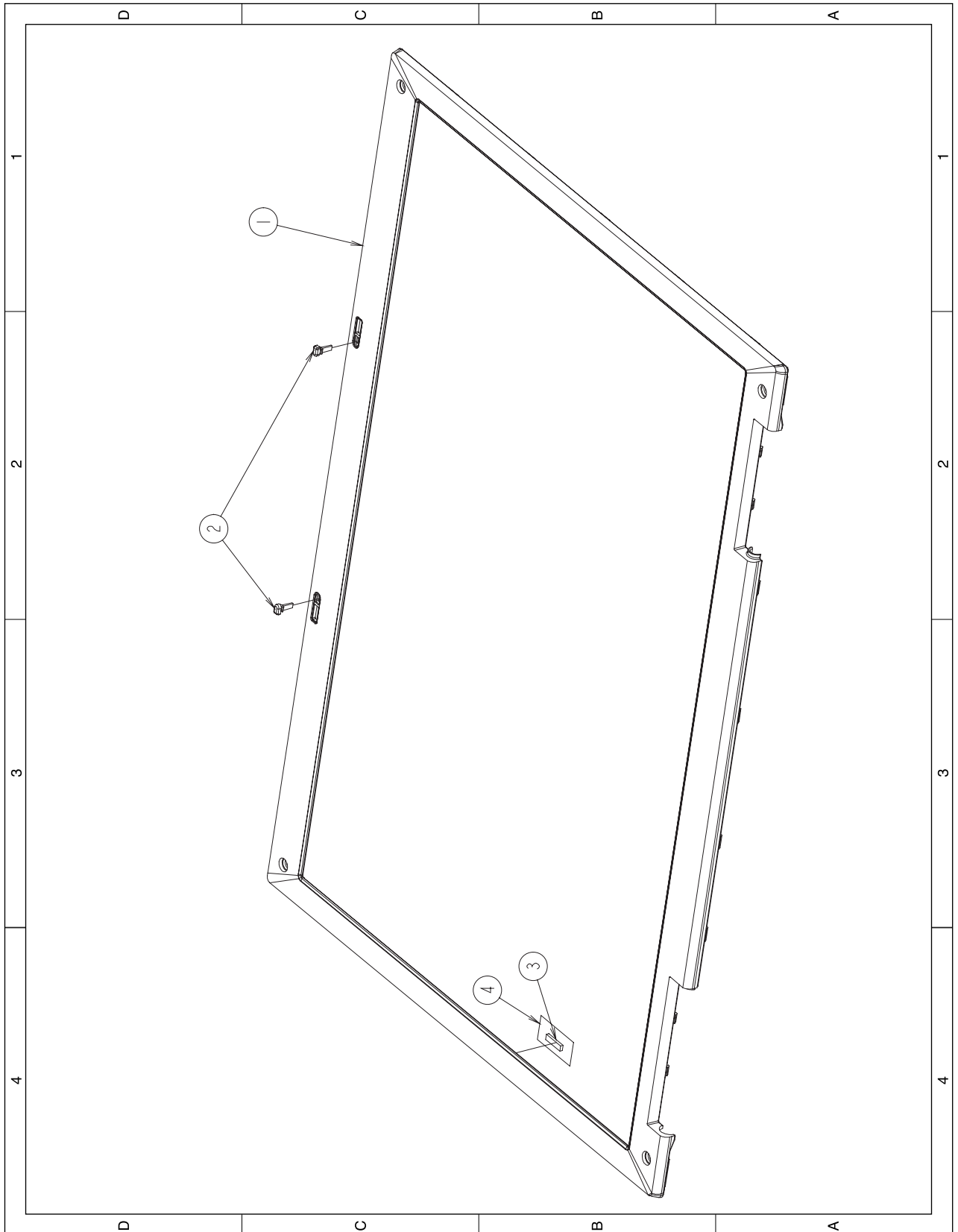
No	Description	Code No	Specification	Q'ty	Remark
1	HOUSING-BOTTOM	BA81-00311A	Mg,AZ91D, T=1.2	1	SINCHANG
2	LINK-BATTERY-R	BA66-00050A	POM	1	SAMIN
3	LINK-BATTERY-L	BA66-00049A	POM	1	SAMIN
4	KNOB-BATTERY-L	BA81-00313A	PC/ABS	1	DAEJIN
5	KNOB-BATTERY-R	BA81-00312A	PC/ABS	1	DAEJIN
6	SPRING-BATTERY	BA81-00403A	SWP	2	YUJIN SPRING
7	DOOR-MEMORY-STICK	BA64-00386A	PC/ABS	1	SAMIN
8	COVER-MEMORY-STICK	BA63-00498A	PC/ABS	1	DAEJIN
9	SPRING-MEMORY-STICK	BA81-00339A	HSWP	1	YUJIN SPRING
10	RUBBER-CAP-MEMORY	BA73-00311A	CR	2	SEOWON
11	RUBBER-HDD-SHOCK	BA73-00238A	PORON HH48(6X6X2T)	8	SEOWON
12	RUBBER-FOOT SYS	BA73-00351A	SILICON	5	SEOWON
13	SHIELD-ODD-BOTTOM-U	BA81-00463A	SUS 304, T=0.15	1	SUNGWOO
14	SHIELD-ODD-BOTTOM-L	BA81-00464A	SUS 304, T=0.15	1	SUNGWOO
15	RUBBER-SUPPORT-DUMMY	BA81-00667A	RUBBER SPONGE(20X10X5T)	2	SEOWON
16	INSULATION-ODD	BA62-00323A	PE	1	HANBIT
17	GASKET-USB	BA63-00029A	4X9X1.5T	3	EXPEN
18	GASKET-LCD-BOARD	BA81-00168A	10X6X10T	1	EXPEN
19	GASKET-DC-IN-JACK	BA81-00169A	10X4X2T	1	EXPEN
20	GASKET-USB	BA63-00029A	20X4X0.3T	1	EXPEN
21	BRKT-KENSINGTON	BA61-00526A	SUS304, T=0.6	1	SUNGWOO
22	WIRELESS-ANT (MAIN) white	BA42-00084A		1	
23	WIRELESS-ANT (AUX) black	BA42-00085A		1	
24	SCREW-MACHINE	6001-001650	M2XL3 BH, WHT, +, NYLOK	1	ASIA
25	SCREW-MACHINE	6001-001433	M2XL3 CH, WHT, +, NYLOK	2	ASIA
26	INSULATION-AIRVENT-BOTTOM	BA81-00564A	PE+METAL	1	KOREA SHINEI

5-2-5 CICHLID_EXPLODED_VIEW_LCD



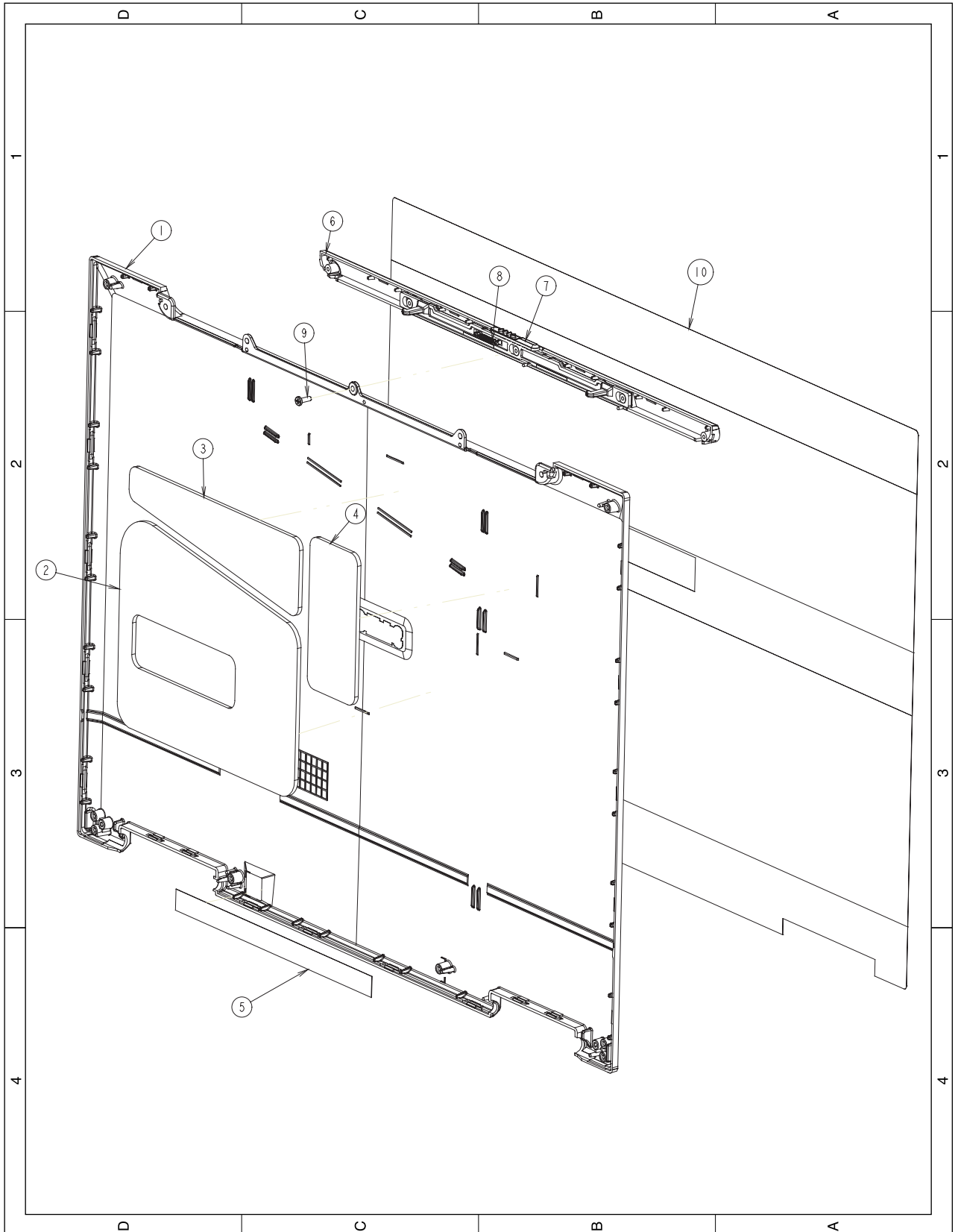
No	Description	Code No	Specification	Q'ty	Remark
	UNIT/HOUSING-LCD-BACK	BA75-01340A	ASSY	1	신창
1	HOUSING-LCD-BACK	BA81-00329A	MG/AZ91D, T1.2	1	신창
2	INSULATOR_INVERTER	BA81-00461A	PET 94VO, T0.2(Black)	1	한빛
3	RUBBER-SPONGE-LCD	BA81-00330A	RUBBER-SPONGE, T=2.0	1	서원인텍
4	RUBBER-SPONGE-UPPER	BA81-00331A	RUBBER-SPONGE, T=2.0	1	서원인텍
5	RUBBER-SPONGE-RIGHT	BA81-00332A	RUBBER-SPONGE, T=2.0	1	서원인텍
6	INSULATOR_PROTECT_BACK	BA81-00459A	PET(Removal), T=0.1	1	한빛
	UNIT/COVER-ANTENNA	BA75-01342A	ASSY	1	대진
7	COVER-ANTENNA	BA81-00337A	PC/(ABS)TALC 5%), 94VO, NH1026M	1	대진
8	KNOB-LCD, LATCH	BA81-00338A	도금용 ABS, 94VO	1	대진
9	SPRING-LCD, LATCH	BA81-00146A	STS304, ID1.5, OD2.0	1	유진
10	SCREW MACHINE	6001-001406	M2XL6, CH+, WHT, NYLOCK	1	아세아
	UNIT/HOUSING-LCD-FRONT	BA75-01341A	ASSY	1	대진
11	HOUSING-LCD-FRONT	BA81-00335A	PC/(ABS)TALC 5%), 94VO, G6861	1	대진
12	MAGNET-SUSPEND	BA81-00336A	NDFeB, N38H, 10X2.5X1.2, 2400G	1	대한특수금속
13	INSULATOR-TAPE-LCD	BA72-00531A	PET, T=0.1	1	대진
14	RUBBER-LATCH-LCD	BA81-00333A	URETHANE, H70	2	서원인텍
15	BRKT-LCD-L	BA61-00919A	STS304, 1/2H, T=0.8	1	성우전자
16	BRKT-LCD-R	BA61-00920A	STS304, 1/2H, T=0.8	1	성우전자
17	HINGE-L	BA61-00921A	UNEQUAL	1	RPM
18	HINGE-R	BA61-00922A	UNEQUAL	1	RPM
19	LCD-LTN170WX_L01	BA59-01343A		1	AMLCD
20	LCD-COAXIAL-CABLE	BA39-00410A		1	HANNSTAR
21	ANTENNA-CABLE(AUX)	BA42-00091A		1	HITACHI
22	ANTENNA-CABLE(MAIN)	BA42-00090A		1	HITACHI
23	INVERTER-BOARD	BA44-00170A		1	ALPS
24	RUBBER-FRONT	BA73-00362A	URETHANE, H70	4	서원인텍
25	INSULATOR-PROTECT-FRONT	BA81-00460A	PET(transparent), T=0.1	1	한빛
26	LABEL-LOGO-SAMSUNG	BA64-00660A	L=60mm (전주 Badge)	1	SR
27	BADGE-SAMSUNG	BA64-00668A	L=60mm (백금도금 Badge)	1	삼영
28	SCREW-MACHINE	6001-001406	M2XL6, CH+, WHT, NNYLOCK	14	아세아
29	SCREW-MACHINE	6001-001433	M2XL3, CH+, WHT, NNYLOCK	8	아세아

5-2-6 CICHLID_EXPLODED_UNIT/LCD_FRONT



No	Description	Code No	Specification	Q'ty	Remark
1	HOUSING-LCD-FRONT	BA81-00335A	PC/ABS(TALC), 94VO, NH1026M	1	대진
2	RUBBER-FOOT-LCD	BA81-00333A	SILICON, HR60	2	서원인택
3	MAGNET-SUSPEND	BA81-00336A	NDFeB, 38H	1	대한특수금속
4	INSULATOR-TAPE-LCD	BA72-00531A	PCV, T=0.1	1	대진

5-2-7 EXPLODED_UNIT_LCD_BACK



No	Description	Code No	Specification	Q'ty	Remark
1	HOUSING_LCD_BACK	BA81-00329A	Mg AZ91D, T=1.2	1	신창전기
2	RUBBER-SPONGE-LCD	BA81-00330A	RUBBER-SPONGE, T=2.0	1	서원인텍
3	RUBBER-SPONGE-UPPER	BA81-00331A	RUBBER-SPONGE, T=2.0	1	서원인텍
4	RUBBER-SPONGE-RIGHT	BA81-00332A	RUBBER-SPONGE, T=2.0	1	서원인텍
5	INSULATOR-INVERTER	BA81-00461A	PET 94VO, T=2.0	1	한빛
6	COVER-ANTENNA	BA81-00337A	PC/ABS, 94 VO	1	대진화학
7	KNOB-LATCH	BA81-00338A	ABS, K2009, 도금용	1	대진화학
8	SPRING-LATCH	BA81-00146A	AQUILA-W, OD 2.8	1	유진 스프링
9	SCREW	6001-001406	MACHINE CH+ WHT M2 X L6	1	아세아
10	INSULATOR-PROTECT-BACK	BA81-00459A	PET(Removal), +=0.1	1	한빛